

# Dosing Pumps

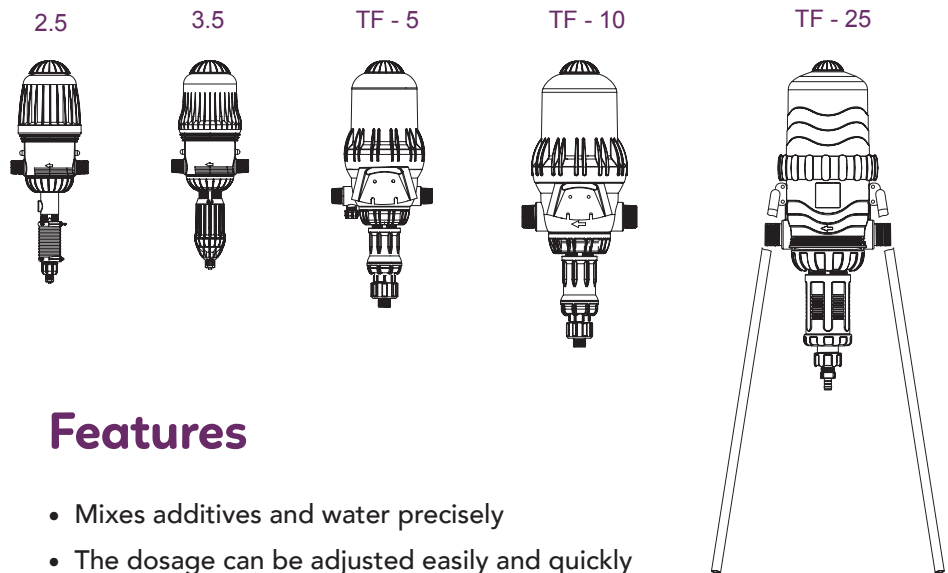


## Overview

Aguair's dosing pumps ensure precise additive injection directly into water or fluid lines. Adaptive to various flow rates, feed ratios, and ranges of pressure, these injectors are extremely durable. They are manufactured from engineered composite materials to withstand exposure to concentrated chemicals and the environment.



### Models



## Features

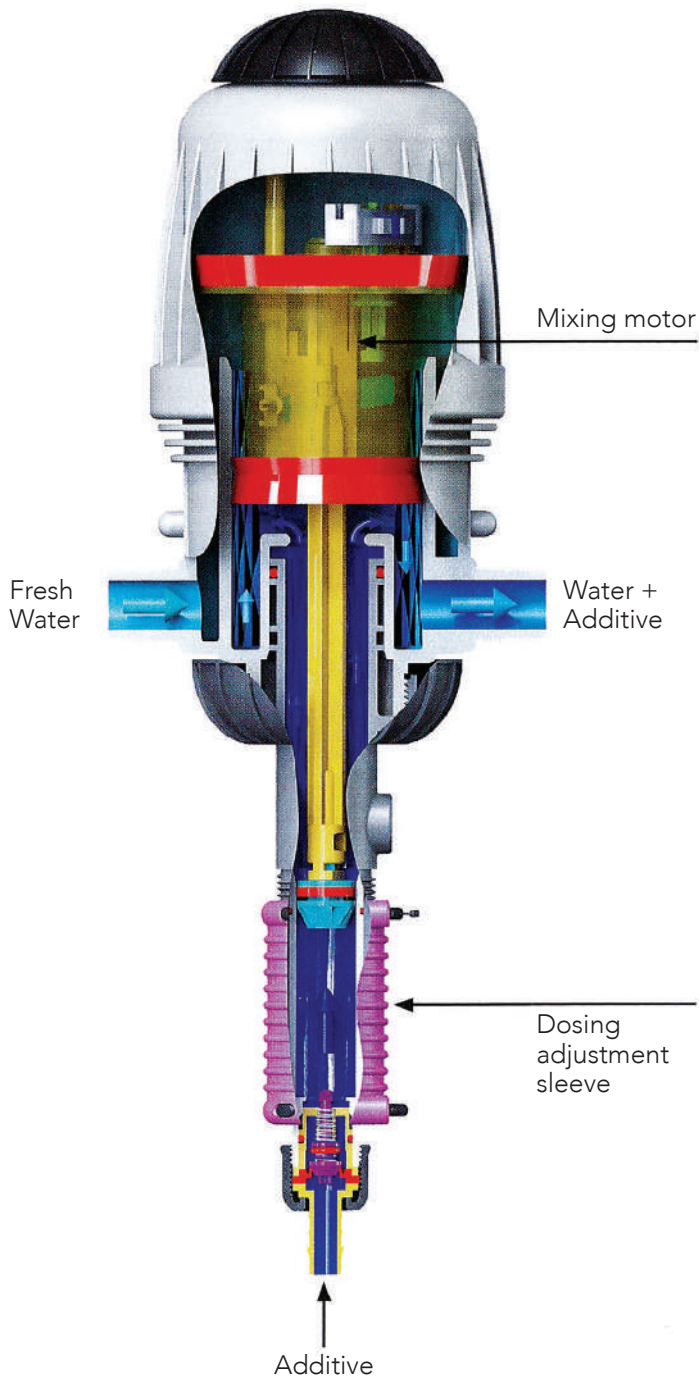
- Mixes additives and water precisely
- The dosage can be adjusted easily and quickly
- Repair is simple and inexpensive
- Key internal parts are manufactured from the highest quality materials available (Hastelloy spring; Viton rubber seal)

## Advantages

- Works at low flow rate
- Easy to maintain in the field
- Highly chemical resistant
- Precise blending
- Resistant to UV damage
- Easy to install
- No electricity needed
- Adjustable dosing rate
- Replaceable seals



Aguair's dosing pumps are adaptable, simple to use, and cost effective, while creating a long-lasting solution for your needs.



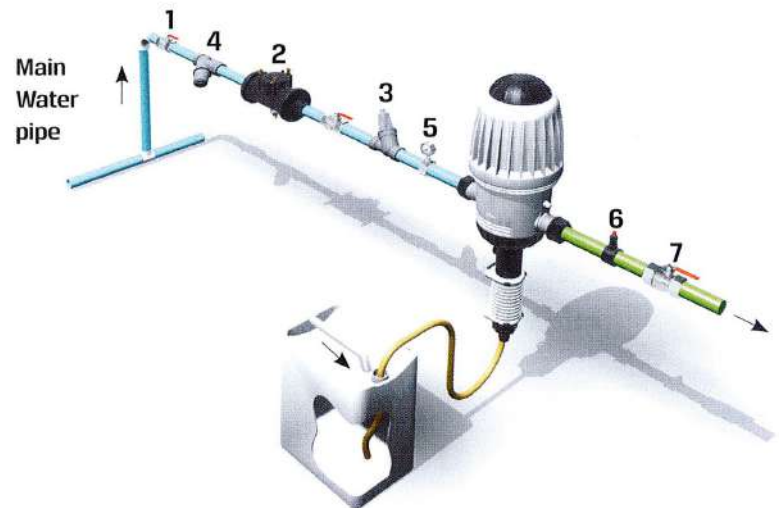
Used in over 90 countries.

## Operating principle

The unit automatically operates when water pressure is applied, and stays on until the fluid flow stops.

## Simple installation and maintenance

- Plug-and-play design
- Easy-to-follow instructions
- Simplest injection systems in the market
- Easy to maintain and repair



### Recommended standard installation in-line

1. Main Valve
2. Back flow preventer
3. Pressure regulator
4. Filter - 130 Micron Min. (130 mesh)
5. Manometer (pressure gauge)
6. Anti-siphon Valve
7. Operation Valve